



# KING CORE ELECTRONICS INC.

Tel: 886-3-4698855 Fax: 886-3-4691395

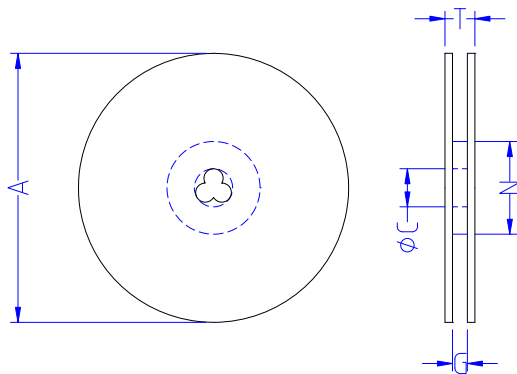
Web Site: <http://www.kingcore.com.tw>

e-mail: [kc@mail.kingcore.com.tw](mailto:kc@mail.kingcore.com.tw)

## PACKAGING – HLC□□□CSCC SERIES

### ◎REEL DIMENSIONS

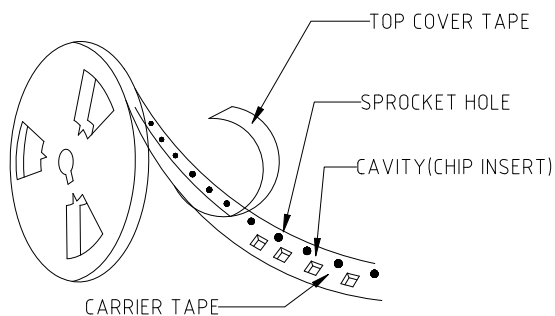
MATERIAL : PAPER/PLASTIC



### ◎STRUCTURE OF TAPING

Carrier tape material : polystyrene

Cover tape material : polystyrene

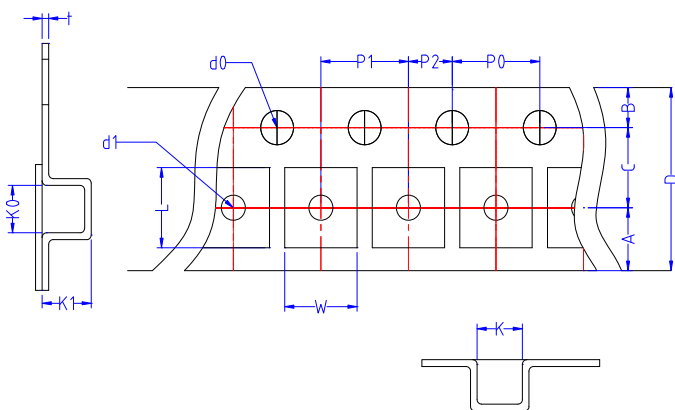


UNIT : mm

SIZE CODE	DIMENSIONS OF REEL				PACKING UNIT(PCS/R)
	A	N	C	G	φ 180mm
HLC0402CSCC	180	62.0±1.50	12.75±0.15	10.0	4000
HLC0603CSCC	180	62.0±1.50	12.75±0.15	10.0	4000
HLC0805CSCC	180	62.0±1.50	12.75±0.15	10.0	2500
HLC1008CSCC	180	62.0±1.50	12.75±0.15	10.0	2000

### ◎CARRIER TAPE DIMENSIONS

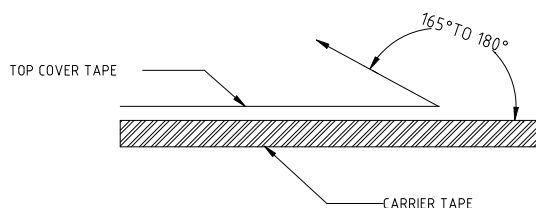
UNIT : mm



SYM.	0402	0603	0805	1008
A	2.75	2.75	2.75	2.75
B	1.75±0.10	1.75±0.10	1.75±0.10	1.75±0.10
C	3.50±0.05	3.50±0.05	3.50±0.05	3.50±0.05
D	8.00±0.10	8.00±0.10	8.00±0.20	8.00±0.10
K	-	1.16±0.10	2.20±0.10	2.61±0.10
K0	-	1.90±0.10	2.70±0.10	2.83±0.10
K1	-	0.95±0.10	1.40±0.10	2.05±0.10
L	-	-	2.85	-
W	-	-	2.35	-
P0	4.00±0.10	4.00±0.10	4.00±0.10	4.00±0.10
P1	2.00±0.05	4.00±0.10	4.00±0.10	4.00±0.10
P2	2.00±0.05	2.00±0.05	2.00±0.05	2.00±0.05
d0	1.50±0.10 -0.00	1.50±0.10 -0.00	1.50±0.10 -0.00	1.50±0.10 -0.00
d1	-	0.70±0.10	1.10±0.10	1.00±0.10
t	-	0.22±0.05	0.20±0.05	0.24±0.05

### ◎STRENGTH OF CARRIER TAPE AND TOP COVER TAPE

The force for tearing off cover tape is 10 to 130 grams in the arrow direction



※All the data listed in this catalogue are for reference only, King Core reserves the right to alter or revise the specifications without prior notification.

W012.A00